

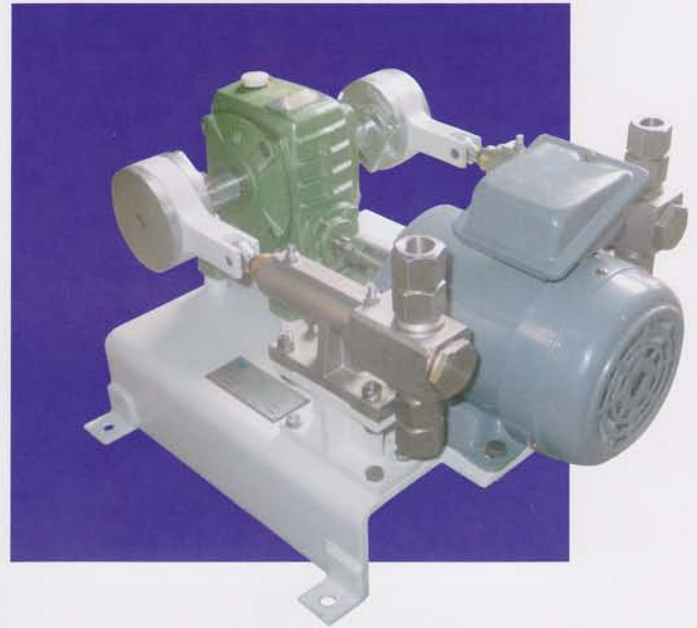


KEWPUMP

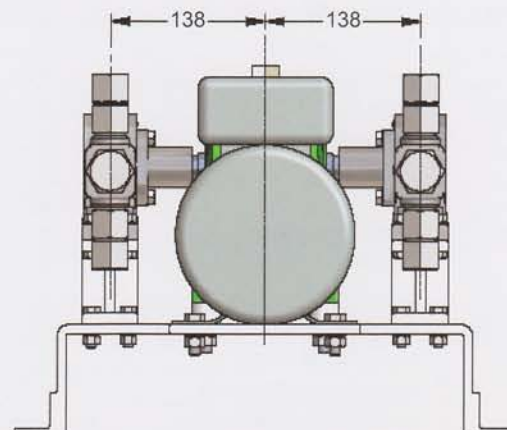
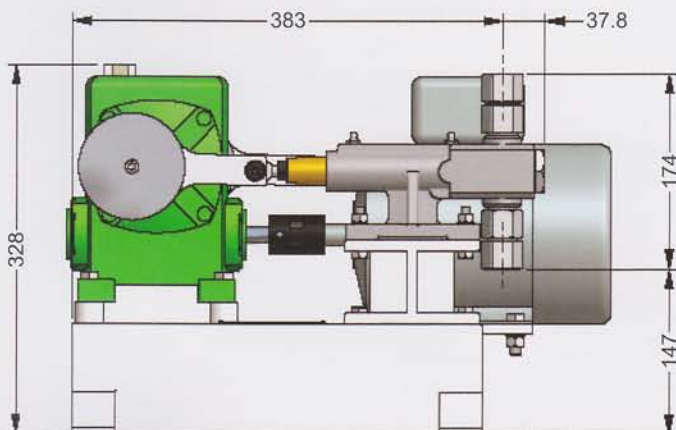
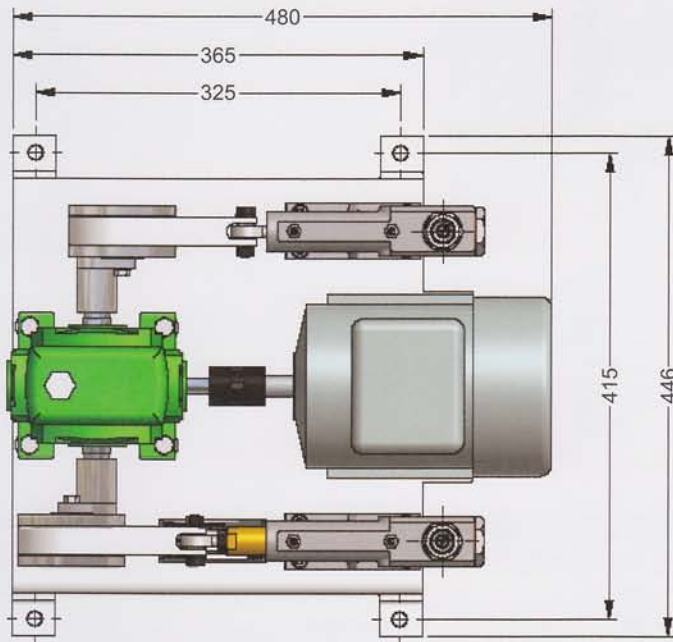
Keeps Pumping

KDP

KDP dosing pump is a positive displacement, reciprocating pump with adjustable flow as process conditions require. It has a high level of repetitive accuracy and is capable of pumping a range of chemicals, including acid base, corrosive or viscous liquids. Models DOS 301/302 (simplex/duplex) are manufactured for easy operation, less space requirement, least maintenance with maximum efficiency.



Design and General Dimensions



Range

Maximum capacity:
Simplex – 30 L/Hr
Duplex – 60 L/Hr
Maximum pressure:
35 Kg/cm²
Maximum suction lift:
3m for water

Specifications

Motor – 0.75HP, 4 Poles
Reducer – 1:20
Stroke per min – 72
Piston Diameter – 16mm
Maximum Stroke – 1¼ in

Material of Construction

Casing – Stainless Steel
Piston Shaft – Stainless Steel
Fittings – Stainless Steel
Packing Set – Viton and Teflon
Valve Ball – Ceramic

Connections

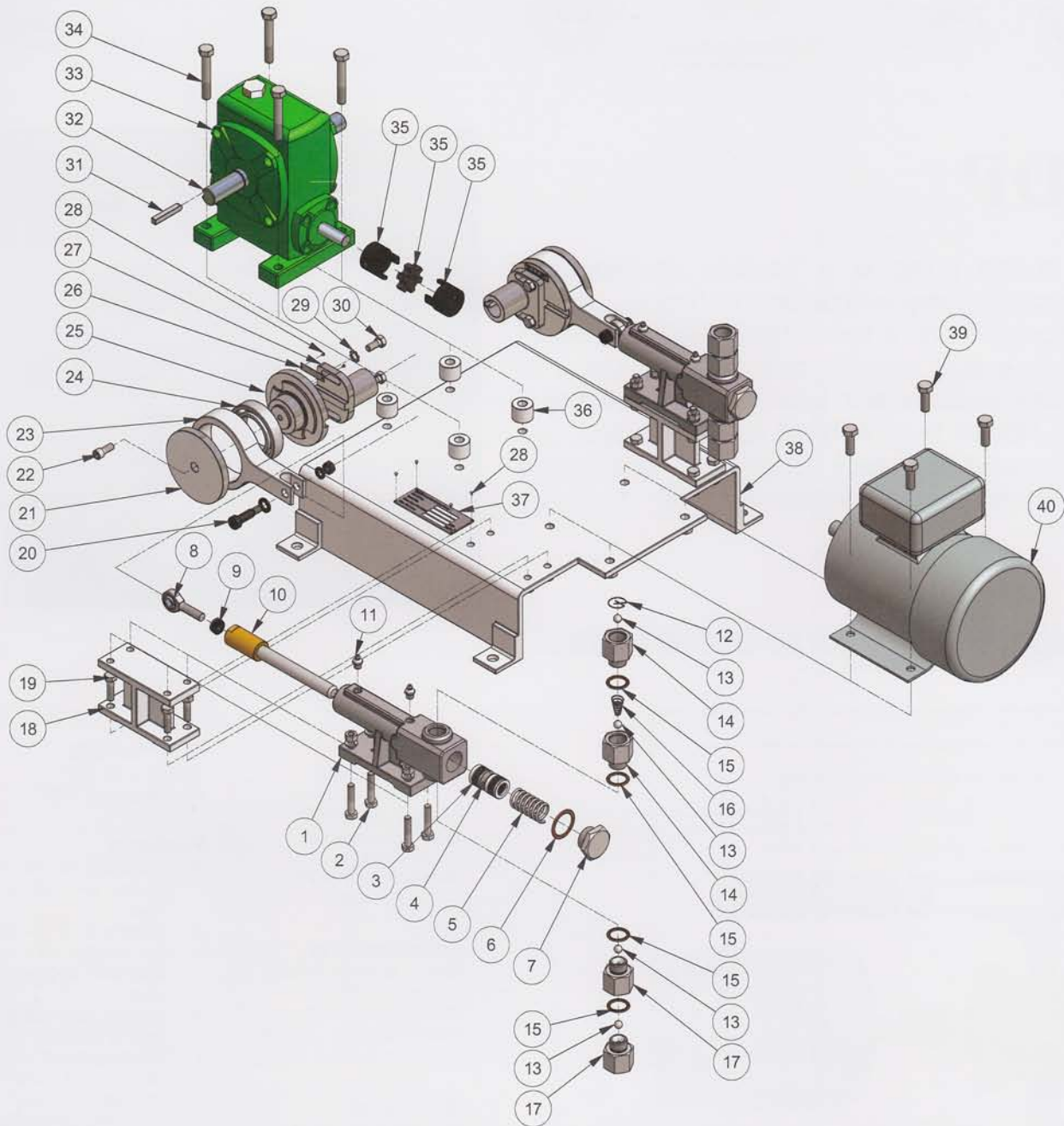
Suction – ½" BSP
Discharge – ½" BSP

Features

- ✓ Available in simplex, or duplex for multi chemical feed
- ✓ Materials of construction for metering chemicals for industrial and agricultural uses
- ✓ Output adjustable from zero to maximum capacity
- ✓ Completely self priming
- ✓ Double ball valve action for ease of priming
- ✓ Eccentric assembly has lifetime lubricated components
- ✓ Heavy duty worm gear reducer with oil sight gauge



PARTS LIST



Item No.	Part No.	Description	Quantity	Item No.	Part No.	Description	Quantity
1	KDP.1	Casing	2*	21	KDP.7	Bearing Cover	2*
2	-	Casing Bolt	8*	22	--	Bearing Cover Bolt	2*
3	-	Packing	2*	23	KDP.8	Eccentric Shaft	2*
4	KDP.2	Grease Gland	2*	24	--	Bearing	2*
5	-	Coil Spring	2*	25	KDP.9	Bearing Cam	2*
6	-	Casing Cap Plain Type Washer	2*	26	KDP.10	Stroke Scale Indicator	2*
7	KDP.3	Casing Cap	2*	27	KDP.11	Shaft Coupling	2*
8	-	Rod End Bearing	2*	28	--	Grooved Stud	8*
9	-	Rod End Bearing Nut	2*	29	--	Ext. Teeth Lock Washer	4*
10	KDP.4	Piston Shaft	2*	30	--	Shaft Coupling Bolt	4*
11	-	Grease Nipple	4*	31	KDP.12	Reducer Shaft Key	2*
12	-	Spring Clip	2*	32	KDP.13	Reducer Shaft	1
13	-	Valve Ball	8*	33	--	Worm Gear Reducer	1
14	KDP.6	Discharge Valve Body	4*	34	--	Worm Gear Reducer Bolt	4
15	-	Valve Body Plain Type Washer	8*	35	--	Coupling Set	1
16	-	Cone Shape Coil Spring	2*	36	KDP.15	Reducer Support Spacer	4
17	KDP.17	Suction Valve Body	4*	37	KDP.16	Name Plate	1
18	KDP.5	Casing Support Stand	2*	38	KDP.14	Base Plate	1
19	-	Casing Support Stand Bolt	8*	39	--	Motor Bolt	4
20	-	Rod End Bearing Holding Bolt	2*	40	--	Motor	1

All quantities based on duplex arrangement.
 For simplex arrangement, all quantities marked*should be divided by 2, except for item No.28, which quantity for simplex arrangement is 6.
 Product specifications subject to change without prior notice.